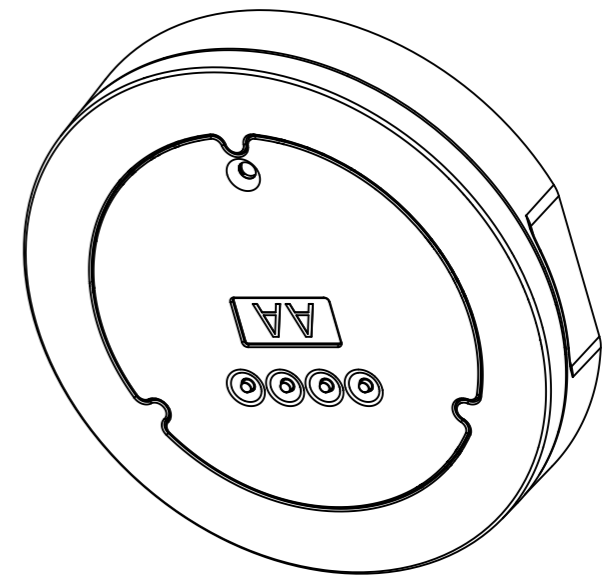
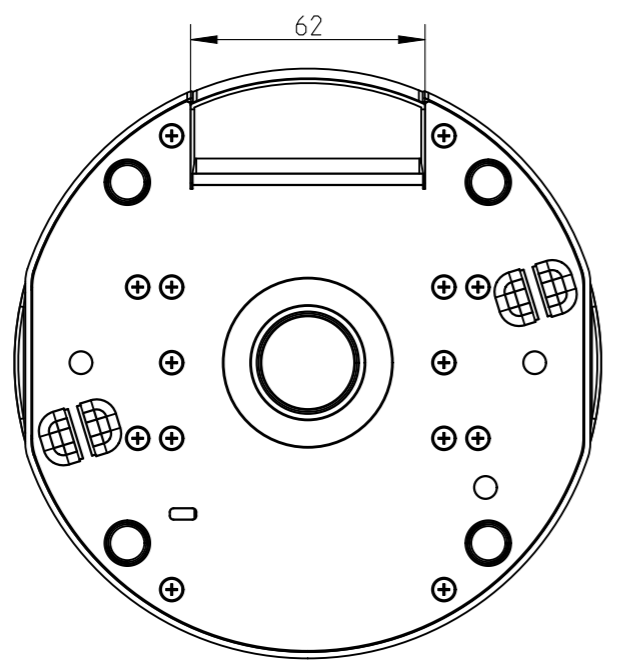
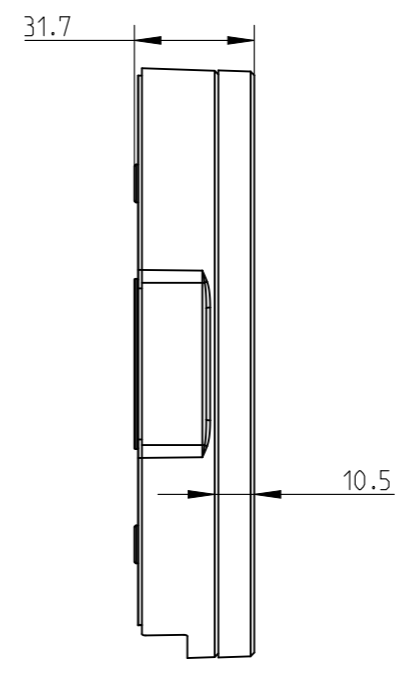
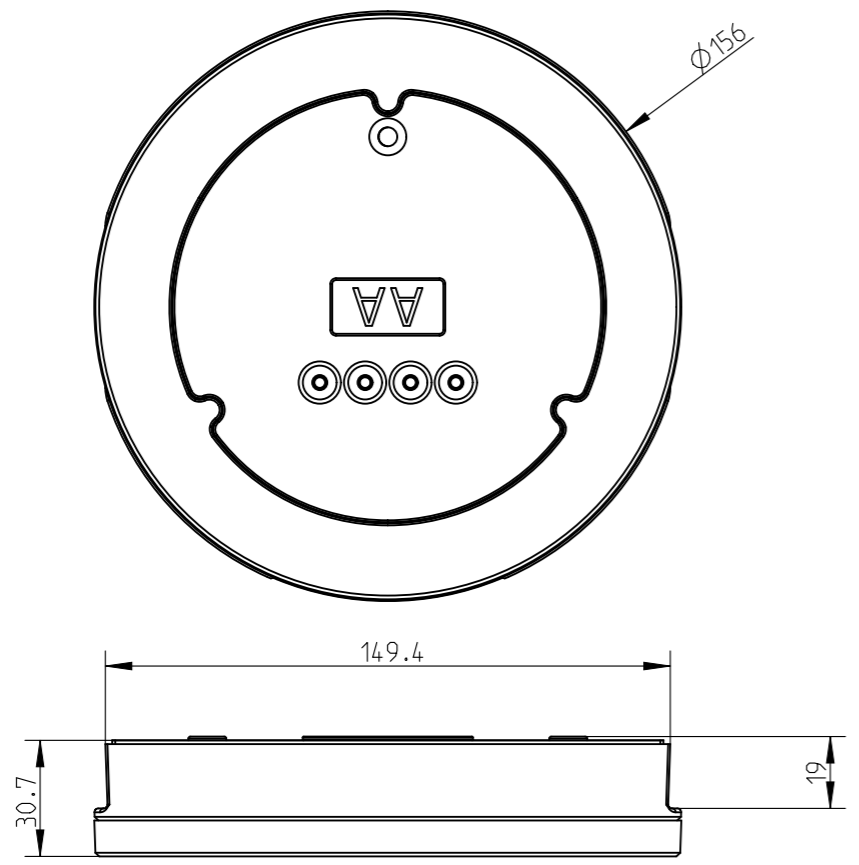



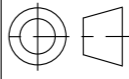
1 2 3 4 5 6 7 8

A  
B  
C  
D  
E  
F



NEW ISSUE	OLD ISSUE	COMMENTS / CHANGE DESCRIPTION	DATE
-	-	-	-
-	-	-	-
-	-	-	-

UNLESS OTHERWISE SPECIFIED:	DRW: MS	ISSUE:	 German Light Prodcts GmbH Industriestr. 2 76307 Karlsbad - Germany +49 (0)7248/92719-0 www.glp.de
Dimensional tolerances +6 = ± 0.05 6-30 = ± 0.1 30-120 = ± 0.15 >120 = ± 0.2 ANGLES = ± 0.5°	STATUS: SEE DDM/WATERMARK	1	
PROPRIETARY NOTICE:	SIZE A3	DATE: 27-Jan-2020	DWG NO.: GLP-20796
All information herein is the sole and exclusive property of GLP, and may not be used, disclosed or reproduced in any manner without the advance written consent of GLP.	THIRD ANGLE PROJ.	DESCRIPTION: CL1_LD	MATERIAL:
		ALL dimensions are in millimeters unless noted otherwise FILENAME: GLP-20796	
DO NOT SCALE		SCALE 1:2	SHEET 1 OF 1