

1 2 3 4 5 6 7 8

A

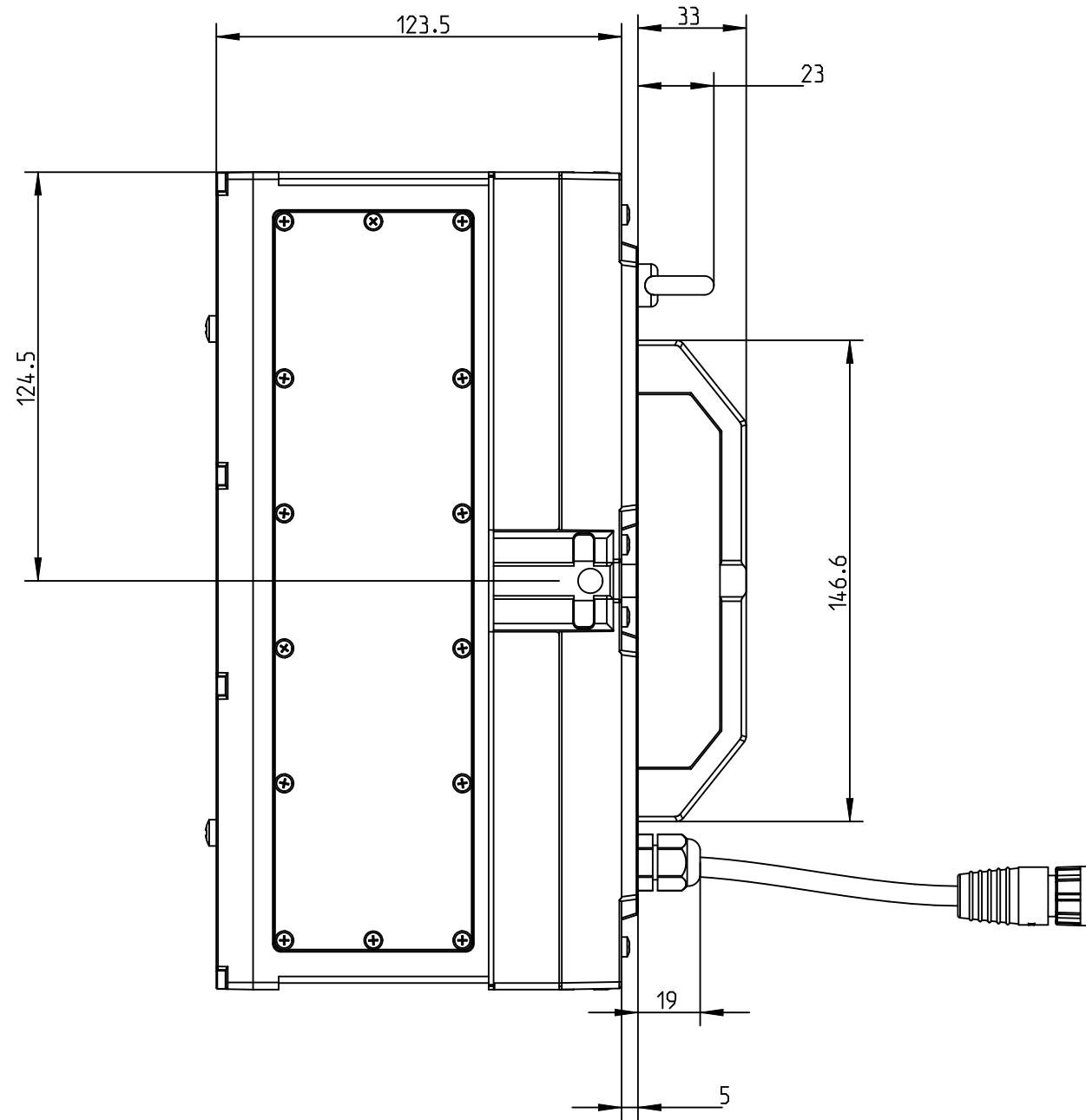
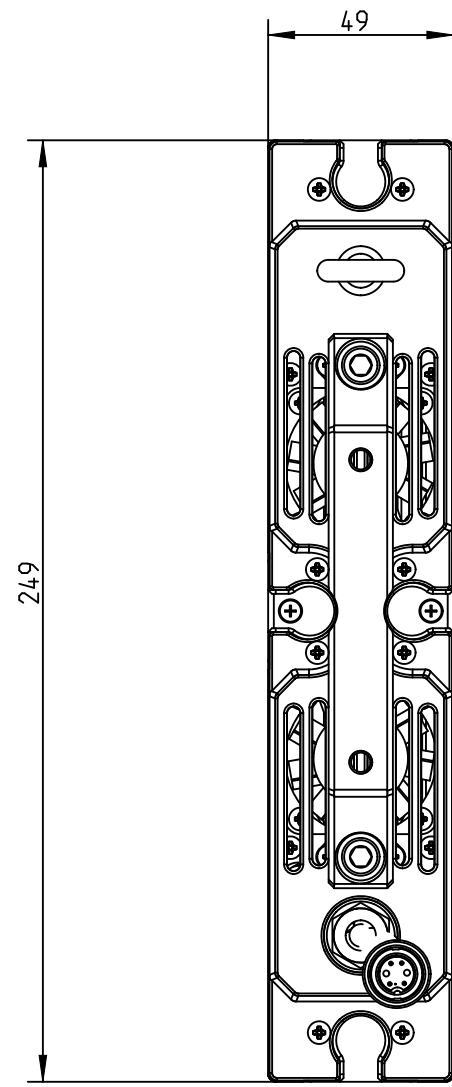
B

C

D

E

F



3:10

-	-	-	-
-	-	-	-
-	-	-	-
NEW ISSUE	OLD ISSUE	COMMENTS / CHANGE DESCRIPTION	DATE
UNLESS OTHERWISE SPECIFIED:		DRW: -	ISSUE:
Dimensional tolerances <6 = ± 0.05 6-30 = ± 0.1 30-120 = ± 0.15 >120 = ± 0.2 ANGLES = ± 0.5°		STATUS: SEE DDM/WATERMARK	DATE: -
PROPRIETARY NOTICE:		SIZE A3	DWG NO.:
All information herein is the sole and exclusive property of GLP, and may not be used, disclosed or reproduced in any manner without the advance written consent of GLP.		THIRD ANGLE PROJ.	DESCRIPTION: -
			MATERIAL:
			FILENAME: DRW0001
		DO NOT SCALE	SCALE 1:2
			SHEET 1 OF 1

GLP
 German Light Products GmbH
 Industriestr. 2
 76307 Karlsbad - Germany
 +49 (0)7248/92719-0
 www.glp.de